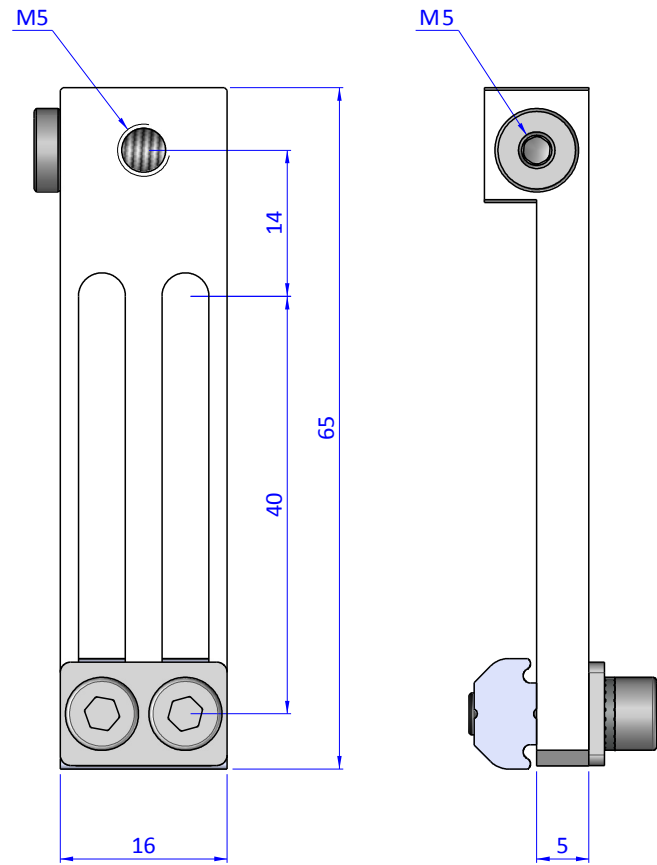
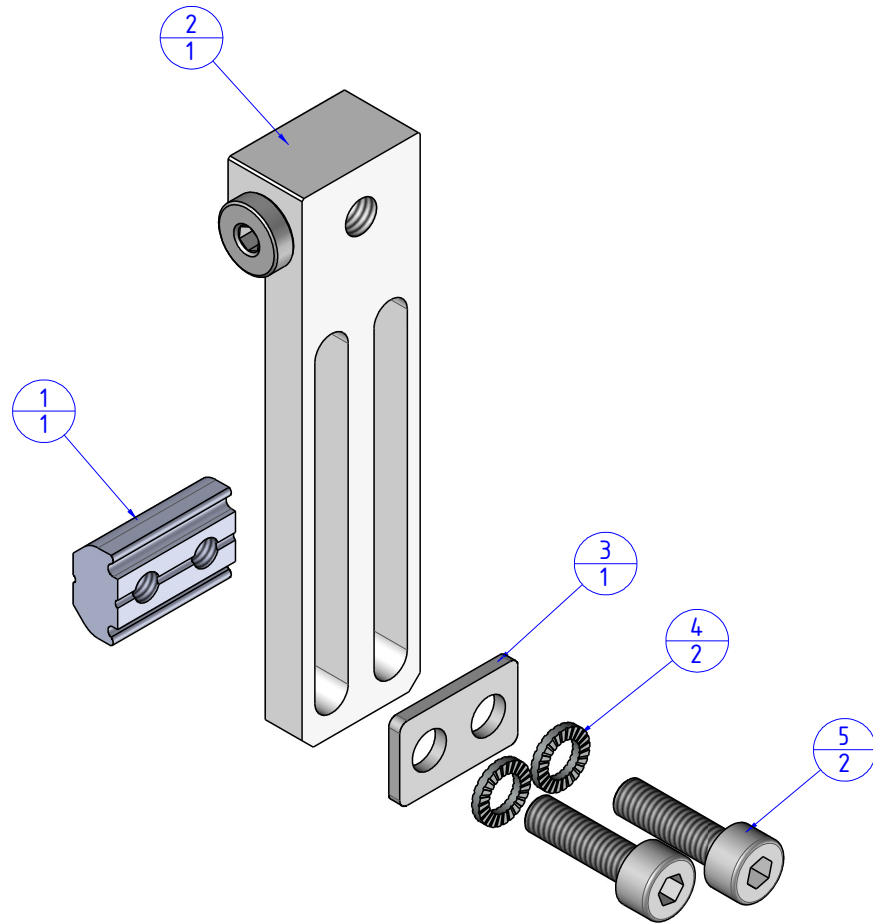


THE PROPERTY OF THE DRAWING IS ESTABLISHED BY LAW. IT IS FORBIDDEN TO PRODUCE OR SHOW IT TO THIRD PARTY, WITHOUT A WRITTEN AGREEMENT.

Item	Name	Q. ty
1	CA.GWP.4.8	1
2	CA.WLS.M5.M5	1
3	R.04.08	1
4	R.4.SCH	2
5	VTCE4x14	2



Format A3

UNI 936-76

FP SERVICES AUTOMATION		DESIGNED FROM FPSERVICES	REVIEW A
GENERAL TOLERANCE UNI - ISO 2768 CLASSE f	DESCRIPTION CA.WLS.M5.M5.X	DATE 27/02/2019	WEIGHT 0,022kg
		CODE CA.WLS.M5.M5.X	